



DT10

Technical data

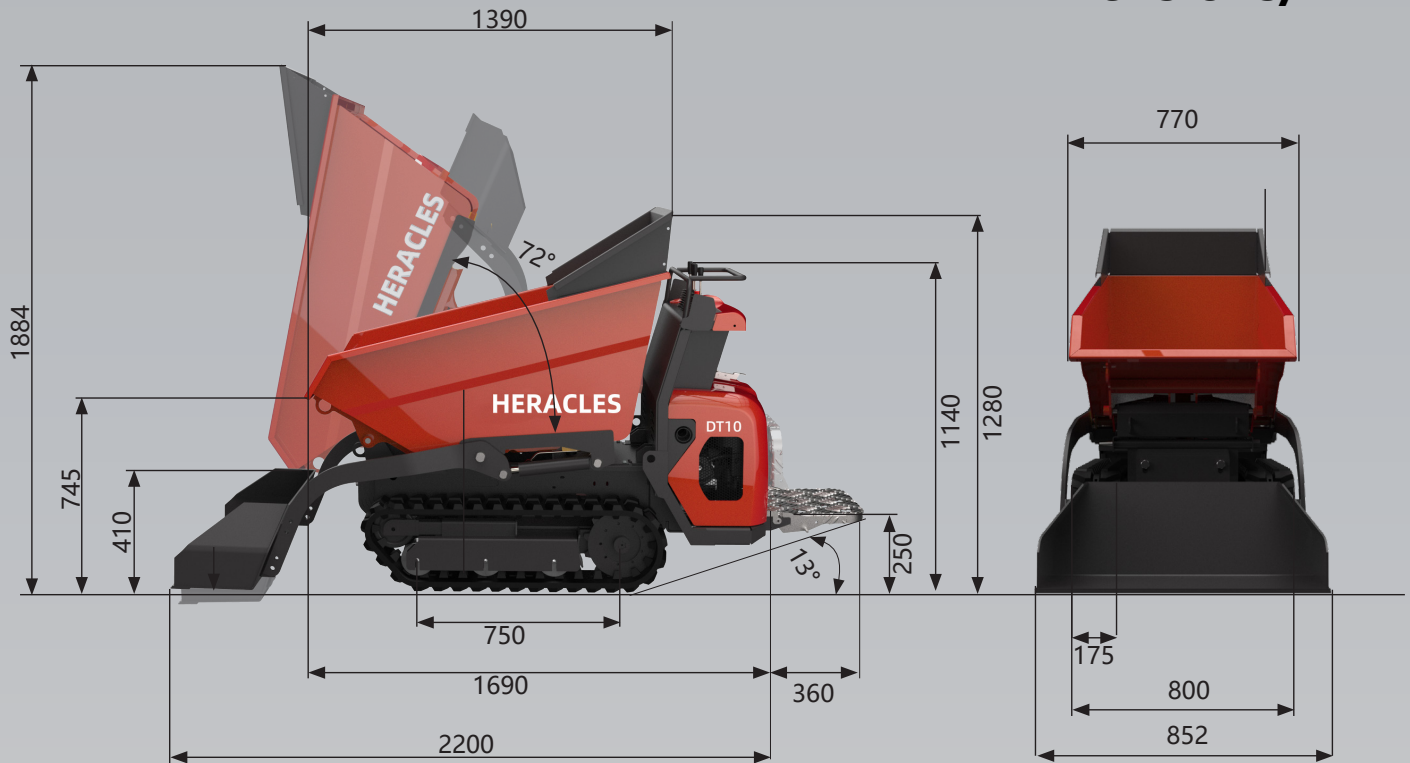


Max Payload Capacity	Engine Power	Travel Speed	Hydraulic Flow	Max Gradeability
1000 kg	10 kw	4.2 km/h	21.6 l/min	30%



Technical data	DT10
Engine manufacturer	Briggs & Stratton
Type of motor	XR2100
Cylinders	1
Displacement cc	420
Emission standards	Euro stage v&EPA Tier 4 Final
Max engine output kW(@3600rpm)	10
Max engine torque Nm(@3060rpm)	28.5
Operating voltage V	12
Battery Ah	45
Shipping weight kg	500
Payload max kg	1000
Travel speed km/h	0~4.2
Max. gradeability	30%
Fuel tank capacity l	5.6
Hydraulic oil tank capacity l	28
Hydraulic flow l/min	21.6
Hydraulic pressure bar	160
Transmission type	Hydrostatic

DT10 Dimensions/mm



Features

- **Small dimensions**
- **Easy service and maintenance access**
- **Long maintenance intervals**
- **Hydrostatic drive system**

Products will continue to be optimized, so the technical data on this page may not be updated in real time.
For more information at: www.heracles.eu
Or contact us (contact information is on the back cover).