








# H130

## Technical data



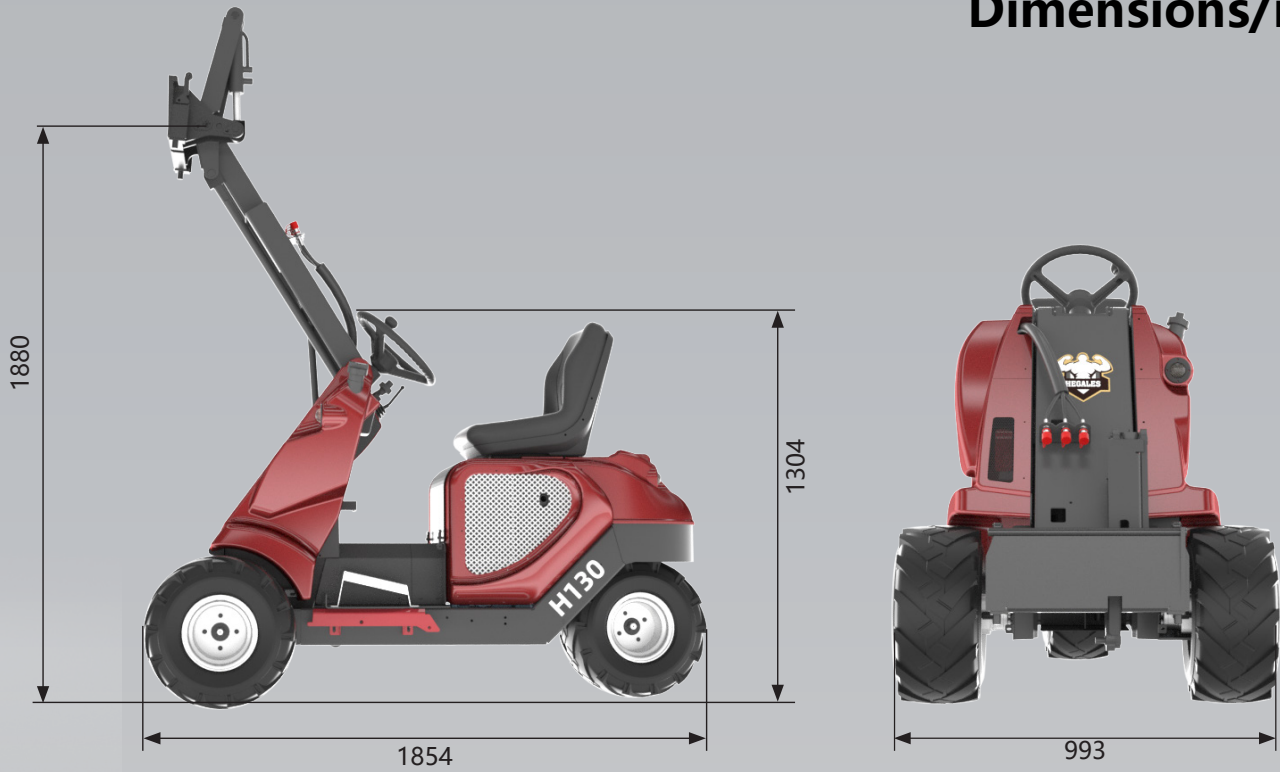
 Max Lifting Capacity	 Engine Power	 Travel Speed	 Hydraulic Flow	 Max Lifting Height
<b>350</b> kg	<b>16.8</b> kw	<b>15</b> km/h	<b>29</b> l/min	<b>1.6</b> m



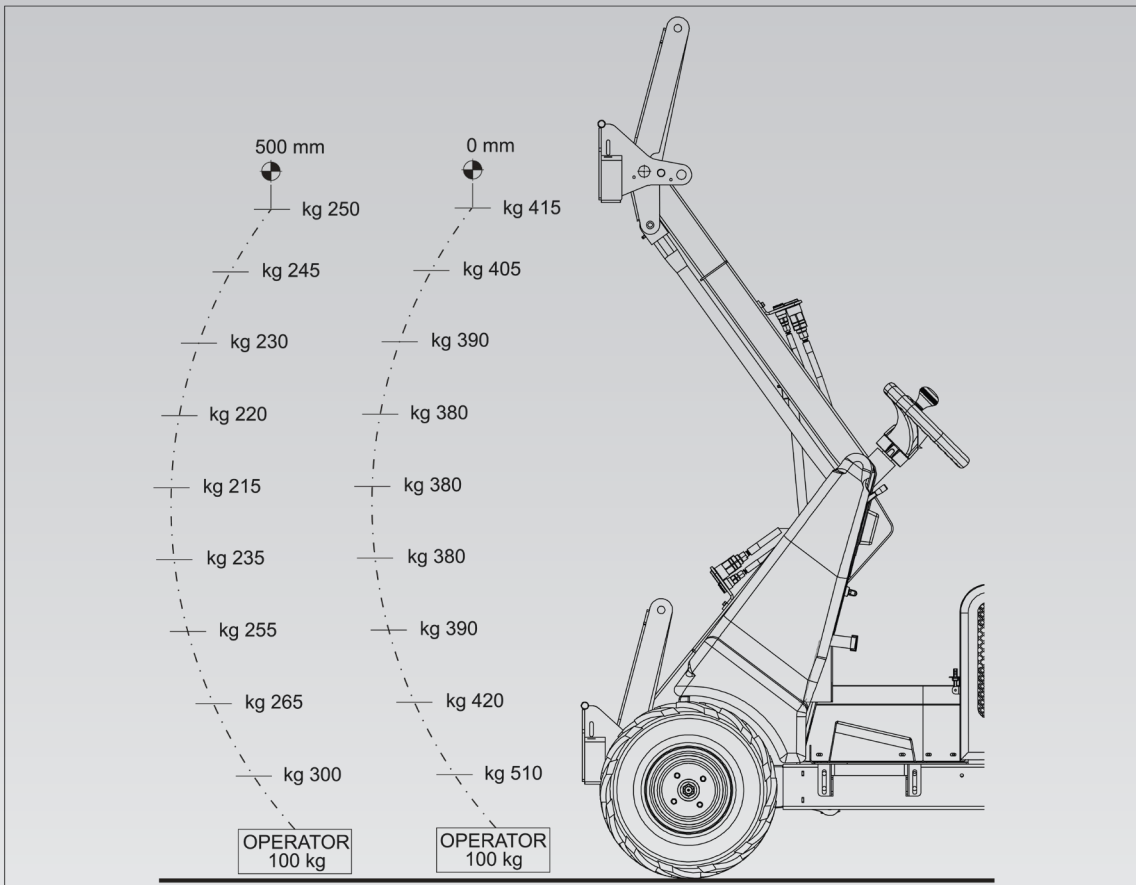
Technical data	H130Pro	H130	H130E
Battery Type			Ternary Lithium Battery
Battery capacity/kWh			14
Drive motor/kW			Shared with pump motor
Pump motor/kW			10
Charging voltage/V			54.6
Charging time/h			2
Loading time/h			4-8
Running time (uninterrupted)			4
Operating voltage V			48
Battery Ah			280
Engine model	RATO R740D		
Fuel type	Gasoline		
Cylinders	2		
Displacement cc	740		
Emission standards	EU Stage V&EPA Tier 4 Final		
Max engine output kW	16.8@3600rpm		
Max engine torque Nm	47@2500rpm		
Cooling system	Air		
Operating voltage V	12		
Battery Ah	20		
Operating weight kg		500	
Tipping load ,max kg		400	
Lifting capacity,max kg		350	
Operator's cab		None	
Travel speed km/h		0~15	
Steering angle °		0~360	
Turn radius inside/outside mm		0/993	
Standard tires		18x9.50-8	
Fuel tank capacity l		10	
Hydraulic oil tank capacity l		10	
Working hydraulic flow l/min		29	
Working hydraulic pressure bar		160	
Transmission type		Hydrostatic	

# H130

## Dimensions/mm



Tires size	Height	Width
18x9.50-8	1304	993



Products will continue to be optimized, so the technical data on this page may not be updated in real time.  
 For more information at: [www.heracles.eu](http://www.heracles.eu)  
 Or contact us (contact information is on the back cover).