








S14

Technical data



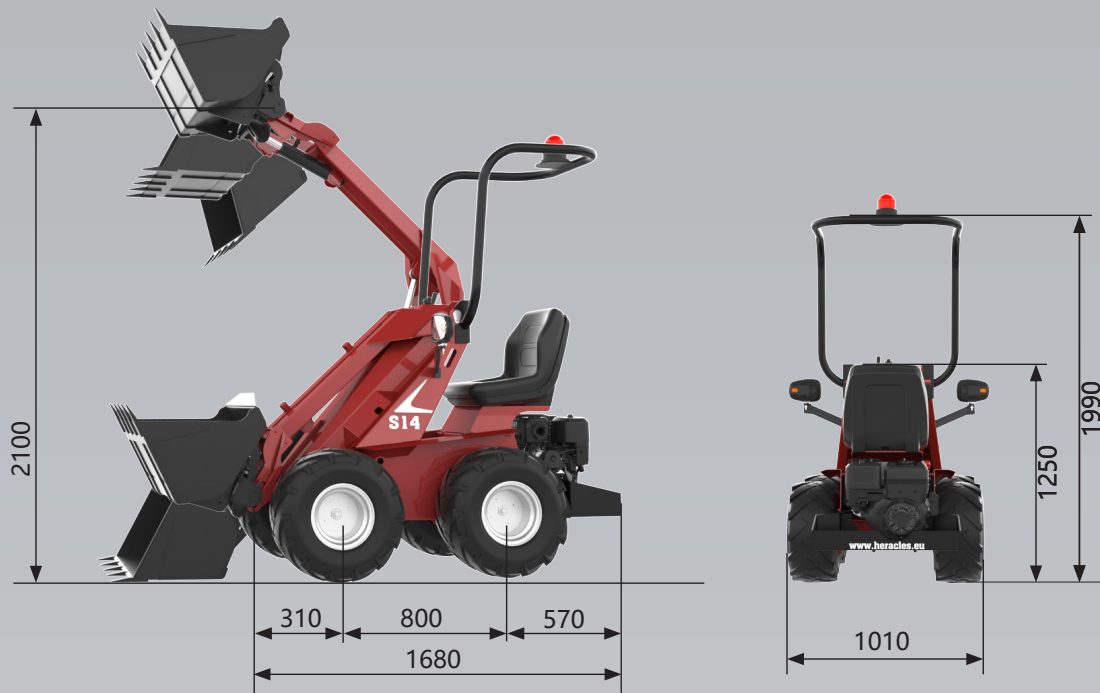
 Max Lifting Capacity	 Engine Power	 Travel Speed	 Hydraulic Flow	 Max Lifting Height
500 kg	10 kw	9 km/h	28.8 l/min	2.1 m



Technical data	S14
Engine model	Briggs & Stratton
Fuel type	XR2100
Cylinders	1
Displacement cc	420
Emission standards	Euro stage v&EPA Tier 4 Final
Max engine output kW	10/3600rpm
Max engine torque Nm	28.5/3600rpm
Cooling system	Air
Operating voltage V	12
Battery Ah	45
Operating weight kg	750
Tipping load ,max kg	530
Lifting capacity,max kg	500
Travel speed km/h	0 - 9
Steering angle °	0~360
Turn radius inside/outside mm	0/1580
Standard tires	23*8.5-12
Fuel tank capacity l	6.6
Hydraulic oil tank capacity l	53
Working hydraulic flow l/min	28.8
Working hydraulic pressure bar	200
Transmission type	Hydrostatic

S14

Dimensions/mm



Tires size	Height	Width
23×8.5-12NHS	1750	1010

Products will continue to be optimized, so the technical data on this page may not be updated in real time.
 For more information at: www.heracles.eu
 Or contact us (contact information is on the back cover).