








# S23 Technical data

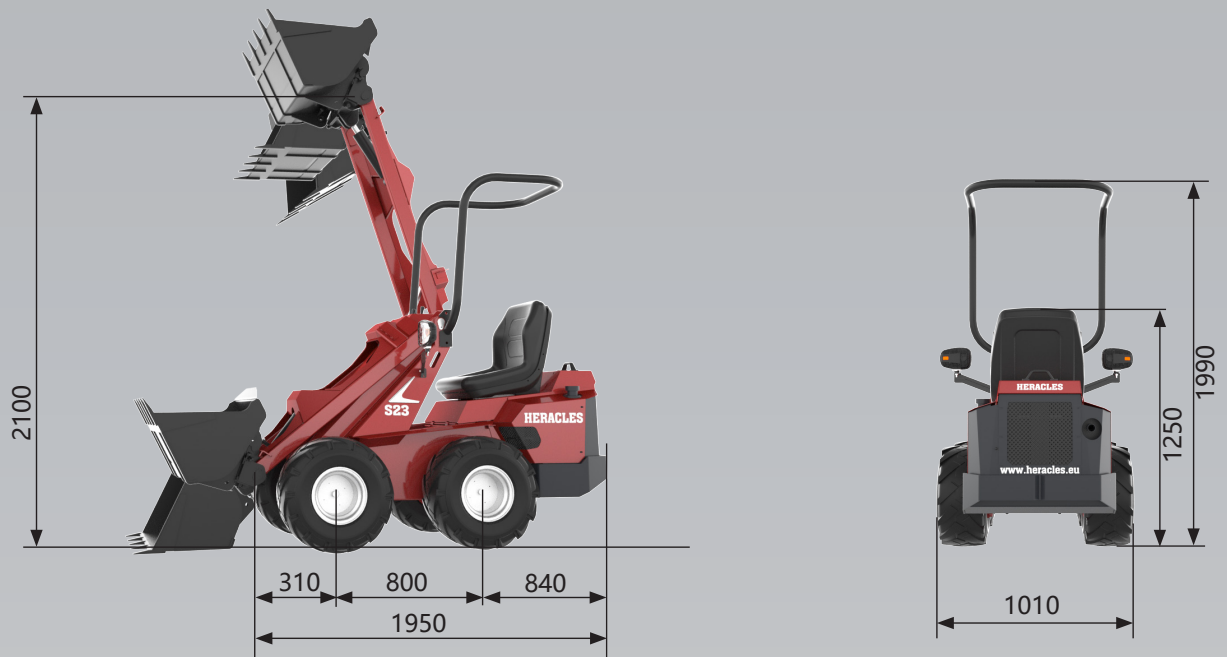


 Max Lifting Capacity	 Engine Power	 Travel Speed	 Hydraulic Flow	 Max Lifting Height
<b>700</b> kg	<b>16.8</b> kw	<b>9</b> km/h	<b>43.2</b> l/min	<b>2.1</b> m



Technical data	S23
Engine model	RATO R740D
Fuel type	Gasoline
Cylinders	2
Displacement cc	740
Emission standards	EU Stage V&EPA Tier 4 Final
Max engine output kW	16.8@3600rpm
Max engine torque Nm	47@2500rpm
Cooling system	Air
Operating voltage V	12
Battery Ah	45
Operating weight kg	850
Tipping load ,max kg	720
Lifting capacity,max kg	700
Travel speed km/h	0 - 9
Steering angle °	0~360
Turn radius inside/outside mm	0/1580
Standard tires	23*8.5-12
Fuel tank capacity l	6.6
Hydraulic oil tank capacity l	53
Working hydraulic flow l/min	43.2
Working hydraulic pressure bar	200
Transmission type	Hydrostatic

# S23 Dimensions/mm



Tires size	Height	Width
23×8.5-12NHS	1950	1010

Products will continue to be optimized, so the technical data on this page may not be updated in real time.  
For more information at: [www.heracles.eu](http://www.heracles.eu)  
Or contact us (contact information is on the back cover).